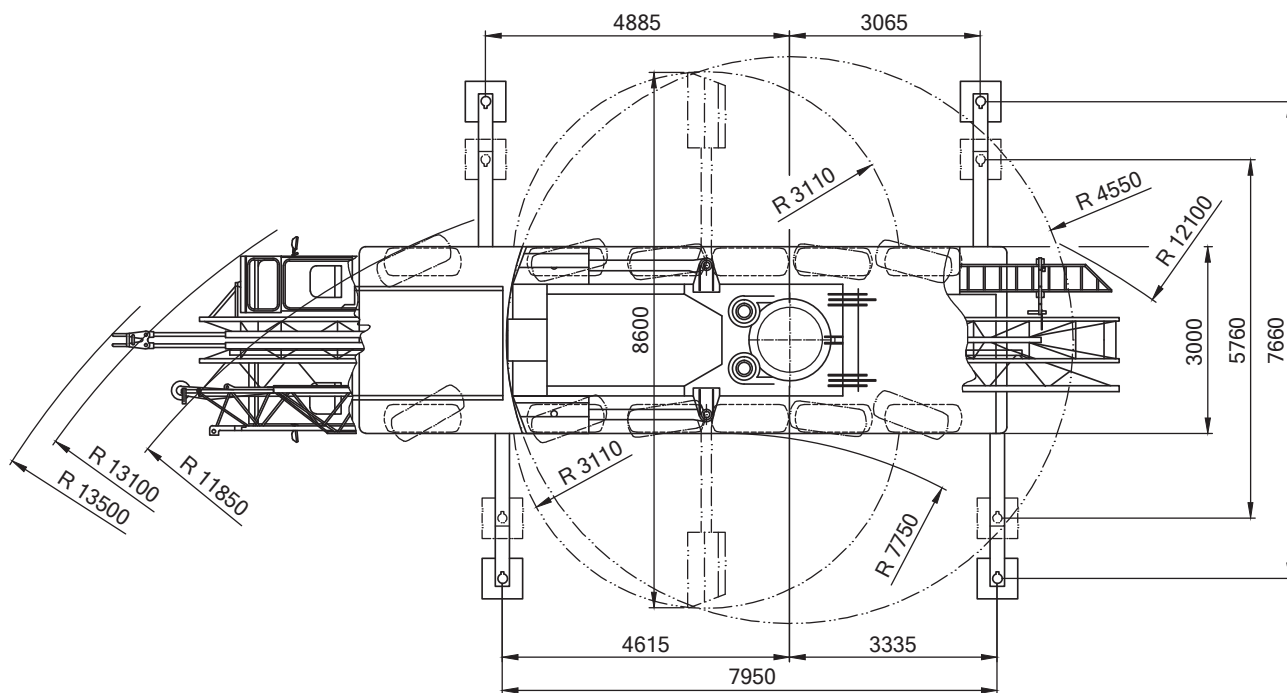
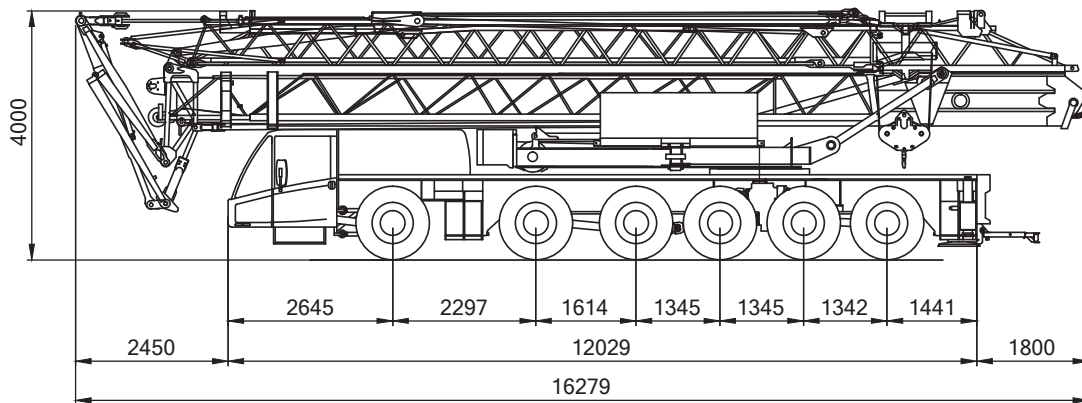


hebt, bewegt, transportiert.



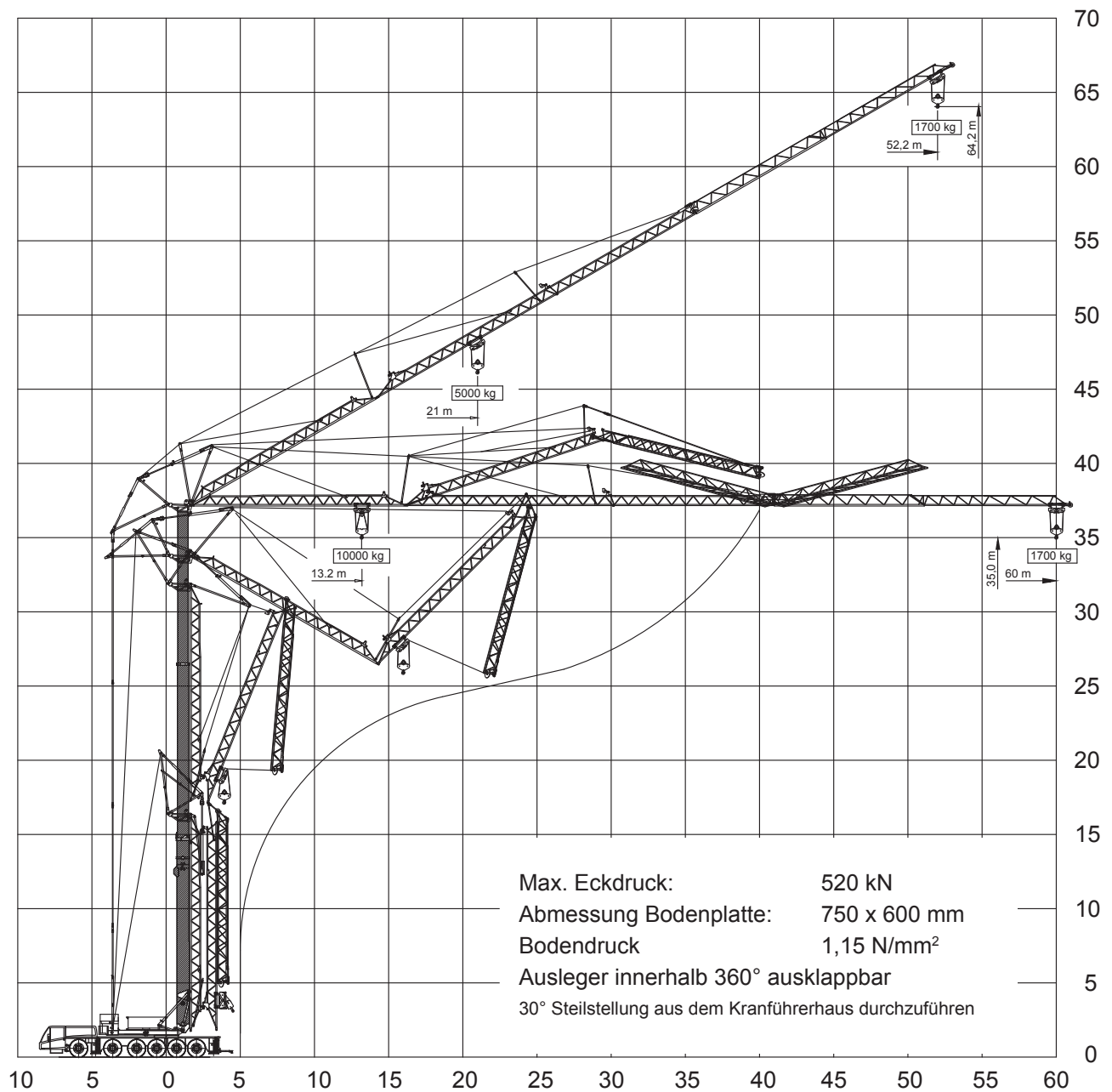
Mobilbaukrane - SK 1265 AT6 - 60 m



hebt, bewegt, transportiert.

Toggenburger

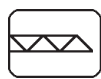
Mobilbaukrane - SK 1265 AT6 - 60 m



hebt, bewegt, transportiert.



Mobilbaukrane - SK 1265 AT6 - 60 m



60m



fest



7,95x7,66m



360°



75%

| m | 60 | | m |
|------|-------|-------|------|
| | 0° | 30° | |
| 3,5 | 10 | 5 | 3,5 |
| 13,2 | 10 | 5 | 13,2 |
| 14 | 9,335 | 5 | 14 |
| 15 | 8,61 | 5 | 15 |
| 16 | 7,985 | 5 | 16 |
| 17 | 7,445 | 5 | 17 |
| 18 | 6,965 | 5 | 18 |
| 19 | 6,545 | 5 | 19 |
| 20 | 6,17 | 5 | 20 |
| 21 | 5,83 | 5 | 21 |
| 22 | 5,53 | 4,74 | 22 |
| 23 | 5,255 | 4,5 | 23 |
| 24 | 5 | 4,285 | 24 |
| 25 | 4,775 | 4,085 | 25 |
| 26 | 4,56 | 3,905 | 26 |
| 27 | 4,37 | 3,735 | 27 |
| 28 | 4,19 | 3,58 | 28 |
| 29 | 4,025 | 3,44 | 29 |
| 30 | 3,87 | 3,305 | 30 |
| 31 | 3,725 | 3,18 | 31 |
| 32 | 3,59 | 3,065 | 32 |
| 33 | 3,465 | 2,955 | 33 |
| 34 | 3,35 | 2,855 | 34 |
| 35 | 3,235 | 2,755 | 35 |
| 36 | 3,13 | 2,665 | 36 |
| 37 | 3,035 | 2,58 | 37 |
| 38 | 2,94 | 2,5 | 38 |
| 39 | 2,855 | 2,425 | 39 |
| 40 | 2,77 | 2,35 | 40 |
| 41 | 2,69 | 2,285 | 41 |
| 42 | 2,615 | 2,22 | 42 |
| 43 | 2,545 | 2,155 | 43 |
| 44 | 2,475 | 2,095 | 44 |
| 45 | 2,41 | 2,04 | 45 |
| 46 | 2,345 | 1,985 | 46 |
| 47 | 2,29 | 1,935 | 47 |
| 48 | 2,23 | 1,885 | 48 |
| 49 | 2,175 | 1,84 | 49 |
| 50 | 2,125 | 1,795 | 50 |
| 51 | 2,075 | 1,75 | 51 |
| 52 | 2,025 | 1,7 | 52 |
| 53 | 1,98 | | 53 |
| 54 | 1,935 | | 54 |
| 55 | 1,89 | | 55 |
| 56 | 1,85 | | 56 |
| 57 | 1,81 | | 57 |
| 58 | 1,775 | | 58 |
| 59 | 1,735 | | 59 |
| 60 | 1,7 | | 60 |

hebt, bewegt, transportiert.

Toggenburger

Mobilbaukrane - SK 1265 AT6 - 60 m



60m



fest



7,95x5,72m



360°



75%

| m | 60 | | m |
|------|-------|-------|------|
| | 0° | 30° | |
| 3,5 | 10 | 5 | 3,5 |
| 8,1 | 10 | 5 | 8,1 |
| 9 | 8,78 | 5 | 9 |
| 10 | 7,685 | 5 | 10 |
| 11 | 6,825 | 5 | 11 |
| 12 | 6,695 | 5 | 12 |
| 13 | 5,56 | 4,77 | 13 |
| 14,2 | 5 | 4,355 | 14,2 |
| 15 | 4,675 | 4,005 | 15 |
| 16 | 4,325 | 3,7 | 16 |
| 17 | 4,02 | 3,435 | 17 |
| 18 | 3,755 | 3,205 | 18 |
| 19 | 3,52 | 3 | 19 |
| 20 | 3,305 | 2,815 | 20 |
| 21 | 3,12 | 2,655 | 21 |
| 22 | 2,945 | 2,505 | 22 |
| 23 | 2,795 | 2,37 | 23 |
| 24 | 2,65 | 2,25 | 24 |
| 25 | 2,525 | 2,14 | 25 |
| 26 | 2,405 | 2,035 | 26 |
| 27 | 2,295 | 1,945 | 27 |
| 28 | 2,195 | 1,855 | 28 |
| 29 | 2,105 | 1,775 | 29 |
| 30 | 2,015 | 1,7 | 30 |
| 31 | 1,935 | 1,63 | 31 |
| 32 | 1,86 | 1,565 | 32 |
| 33 | 1,79 | 1,505 | 33 |
| 34 | 1,725 | 1,445 | 34 |
| 35 | 1,66 | 1,395 | 35 |
| 36 | 1,605 | 1,34 | 36 |
| 37 | 1,55 | 1,295 | 37 |
| 38 | 1,495 | 1,25 | 38 |
| 39 | 1,445 | 1,205 | 39 |
| 40 | 1,4 | 1,165 | 40 |
| 41 | 1,355 | 1,125 | 41 |
| 42 | 1,315 | 1,09 | 42 |
| 43 | 1,275 | 1,055 | 43 |
| 44 | 1,235 | 1,025 | 44 |
| 45 | 1,2 | 0,99 | 45 |
| 46 | 1,165 | 0,96 | 46 |
| 47 | 1,13 | 0,93 | 47 |
| 48 | 1,1 | 0,905 | 48 |
| 49 | 1,065 | 0,88 | 49 |
| 50 | 1,04 | 0,85 | 50 |
| 51 | 1,01 | 0,83 | 51 |
| 52 | 0,985 | 0,8 | 52 |
| 53 | 0,955 | | 53 |
| 54 | 0,93 | | 54 |
| 55 | 0,91 | | 55 |
| 58 | 0,84 | | 58 |
| 60 | 0,8 | | 60 |